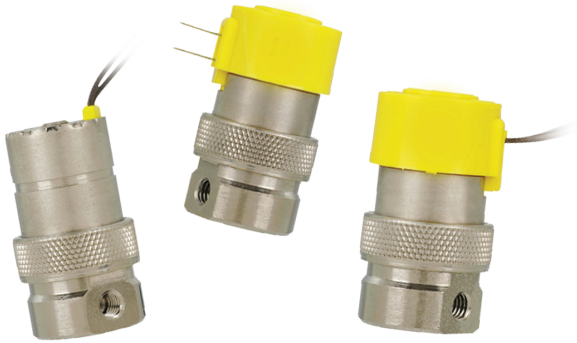


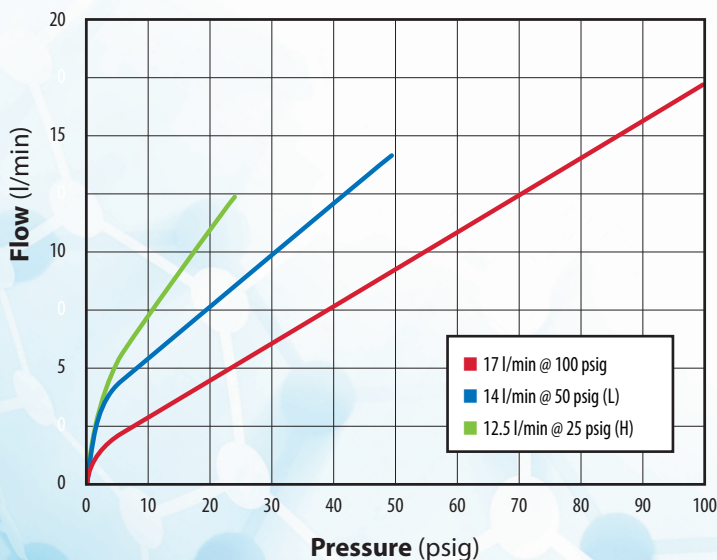
EV SERIES ELECTRONIC VALVES



Clippard's original EV series valve design is a deceptively simple arrangement featuring a remarkably quiet, low power operation. The Clippard "spider" is the only moving part, and its motion to operate the valve is a mere 0.007" travel. As a result, this valve features an exceptionally long life—proven to last over 1,000,000,000+ cycles. Low voltage DC inputs move the spider, generating extremely fast response times of 5 to 10 milliseconds while using only 0.67 watts of power. The EV series is cool running and its compact, lightweight design makes it easy to mount in small spaces.

Also available in high flow, oxygen clean, analytical, corrosion-resistant, N.O. manifold, and proportional versions.

TYPICAL FLOW



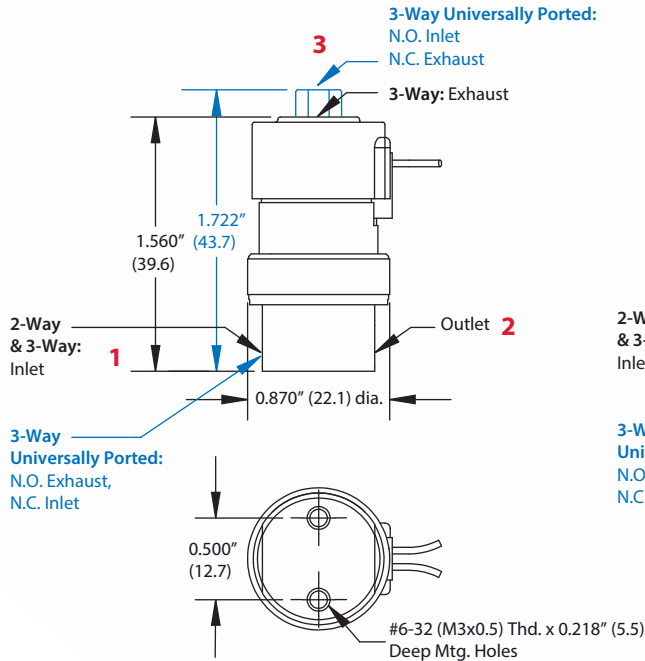
Coil Resistance	218 (12V), 864 (24V)
Connection	Pin connector, spade terminals, radial wire leads, or axial wire leads
Current	0.055A (12V), 0.028A (24V)
Cycle Life	>1,000,000,000 (<i>ideal applications</i>)
Filtration	40 micron filter (<i>recommended</i>)
Function	2-way normally-open or normally-closed; 3-way normally-open, normally-closed, or universally ported
Leak Rate	0.1 sccm
Material, Body	Nickel-plated brass, ENP carbon steel, nickel iron alloy, 300 series stainless steel
Material, Seals	Nitrile standard; FKM, EPDM ¹ and silicone ¹ available
Material, Spring	Nickel alloy
Material, Wetted	ENP brass, nickel alloy, stainless steel, ENP steel
Max. Flow	17 l/min @ 100 psig (7 bar), 14 l/min @ 50 psig (3.4 bar), or 12.5 l/min @ 25 psig (1.7 bar)
Max. psig	105 (7.2 bar)
Medium	Clean, dry air and compatible gases
Mount	In-line or manifold
Number of Ports	2 or 3
Operating Pressure	28" Hg to 25, 50, or 100 psig (1.7, 3.4, or 7 bar)
Operating Temp. Range	32 to 180°F (0 to 82°C)
Orifice	0.060", 0.040", or 0.025" (1.52, 1.02, or 0.64 mm)
Port, Exhaust	#10-32 or M5 (3-way)
Port, Inlet	Manifold: #10-32 or M5 male stud In-Line: #10-32 or M5 female
Port, Outlet	#10-32 or M5 (in-line)
Response Time	5 to 10 ms (nominal) @ 25 psig (1.7 bar)
Voltage	12 or 24 VDC
Voltage Operating Range	90 to 150%
Wattage	0.67 watts (nominal)
More Details	clippard.com/link/ev-series

¹Minimum order quantity required

Does your application have requirements beyond what is listed? Contact Clippard to discuss how this valve can be modified to meet your specific needs.

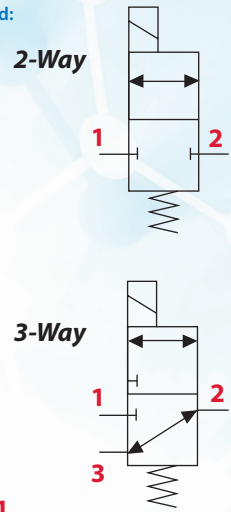
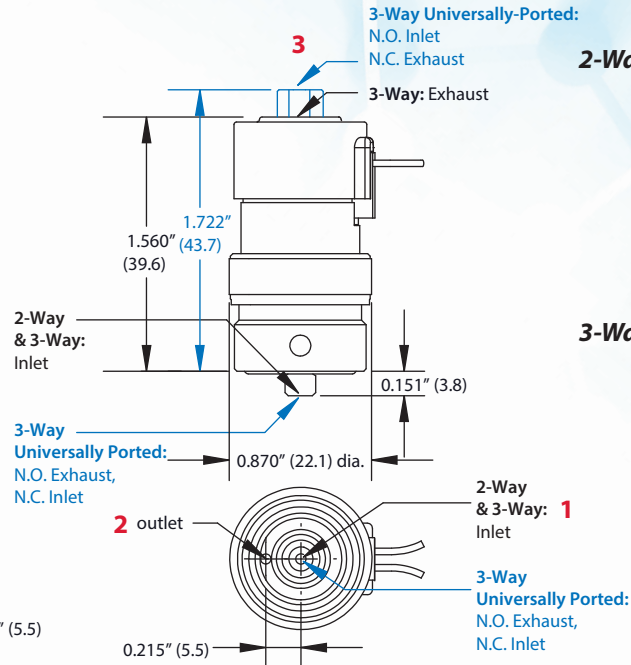
Inline Mount

2-Way, 3-Way, and 3-Way Universally Ported



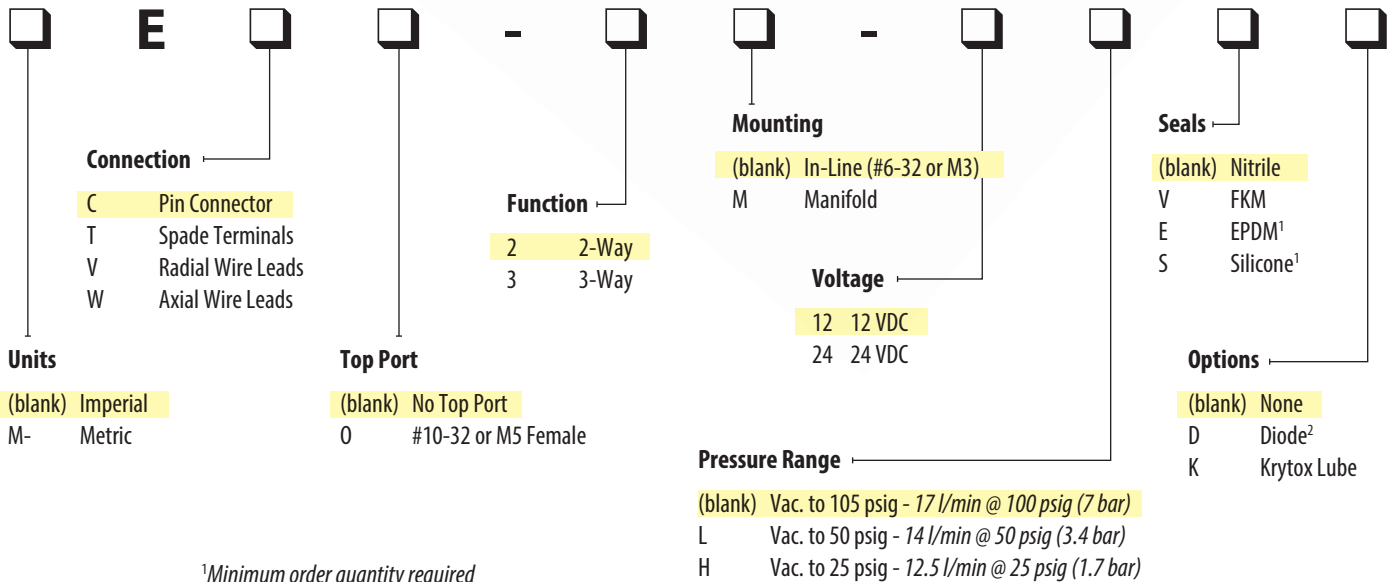
Manifold Mount

2-Way, 3-Way, and 3-Way Universally Ported



Dimensions shown are in inches (millimeters listed in parentheses).
Visit clippard.com for more detailed 2D and 3D drawings.

ORDERING INFORMATION



¹Minimum order quantity required
²Available on pin connector (EC) models only

Example Part Number:
EC-3-12

For more info, scan the QR code or visit
clippard.com/link/ev-series

